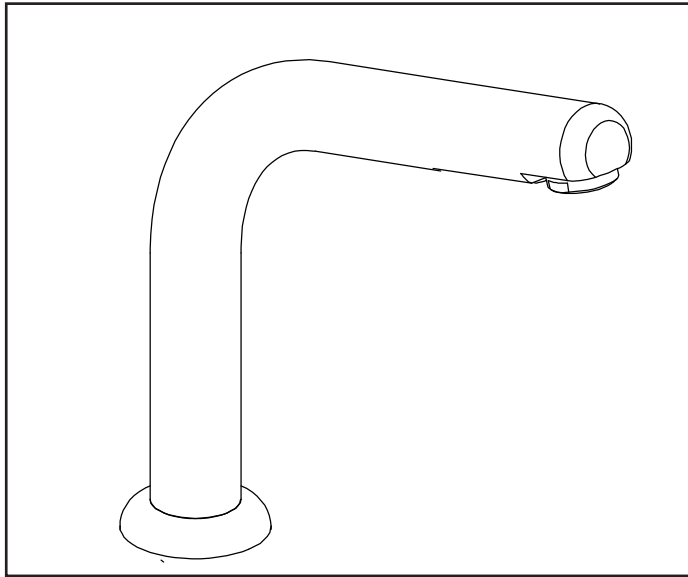


# SANTRONIC



## Installation Guide



**INTERSAN**

**INTERSAN MANUFACTURING COMPANY**

1748 W. Fillmore St. - Phoenix, AZ 85007 - Tel. (800) 999-3101 - [www.intersanUS.com](http://www.intersanUS.com) - [literature@intersanUS.com](mailto:literature@intersanUS.com)

# SANTRONIC - Installation Instructions

INTERSAN® SANTRONIC



## 1. Prior to Installation

Only use the original components supplied by Intersan. Clean all water supplies thoroughly before installation of the Santronic. Always turn off the main water supply during the installation or maintenance

## Step 1

Faucet body installation

**NOTE:** During the installation of the faucet it is not necessary to remove the faucet shank from the faucet body.

Procedure:

- Remove the tube protection hose P2474 from its compression collar fitting P2471 through opening its clips.
- Remove the compression collar fitting P2471, the 3/4" tie nut P498180 and the stainless steel washer plate P498220 from the faucet shank P471310;
- Install the supplied rubber O-ring P2194 between the faucet body and the lavatory;
- Reinstall the stainless steel washer plate P498220 and the brass mounting tie nut P498180 on the faucet shank:
- Tighten P498180 nut firmly;
- Install the compression collar fitting P2471 on the faucet shank P471310;
- Glide the protection hose P2474 over the water tubing P2788 and sensor lead P2975;
- Close the clips of the compression collar fitting P2471;

## Step 2

Control unit installation

Procedure :

- Mount the control unit to the wall using the appropriate hardware, Intersan does not supply mounting hardware;
- Remove the control unit cover by removing the screws or allen screws from the front;
- Install the water tubing from the faucet into the compression collar fitting of the solenoid valve. Ensure that the water supply tubing is securely fastened to the compression collar fitting before connecting water supply to the control box;
- Plug the sensor electronics wires from the faucet into the electronics microprocessor inside the control unit;
- Connect the water supply to the water inlet of the control unit;
- Install the 9 volt lithium battery, wait 30 seconds until the unit becomes operational ;
- Check the unit for proper flow to the faucet. Inspect thoroughly around compression collar fittings to ensure that the unit is not leaking;
- Replace the control unit cover.

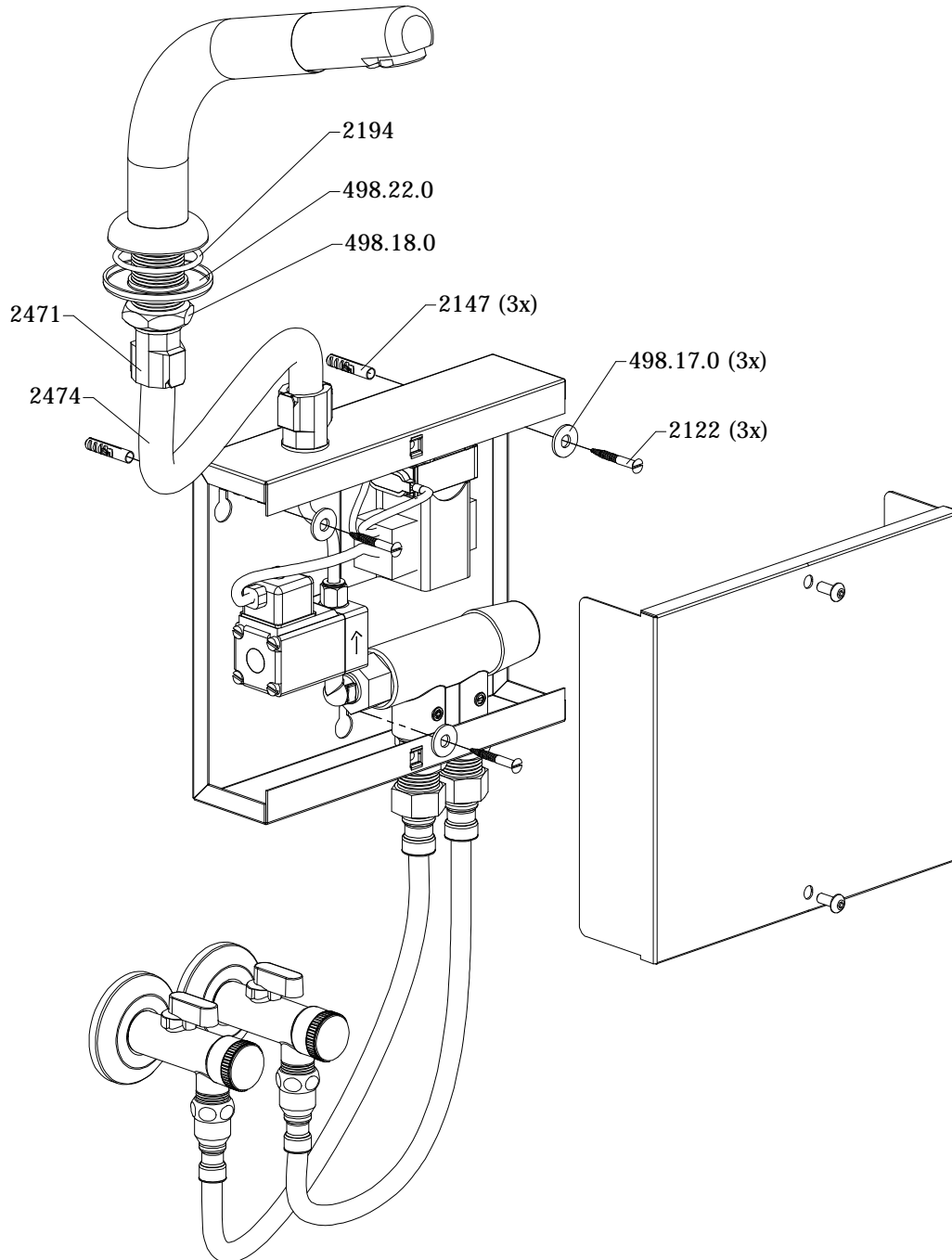
NOTE: THIS INFORMATION IS SUBJECT TO CHANGE WITHOUT FORMAL NOTICE

**INTERSAN MANUFACTURING COMPANY**

1748 W. Fillmore St. - Phoenix, AZ 85007 - Tel. (800) 999-3101 - Fax. (602) 254-1776 - [www.intersanUS.com](http://www.intersanUS.com)

OCT03

**Assembly for Santronic with Hot & Cold Water**



NOTE: THIS INFORMATION IS SUBJECT TO CHANGE WITHOUT FORMAL NOTICE

**INTERSAN MANUFACTURING COMPANY**

1748 W. Fillmore St. - Phoenix, AZ 85007 - Tel. (800) 999-3101 - Fax. (602) 254-1776 - [www.intersanUS.com](http://www.intersanUS.com)